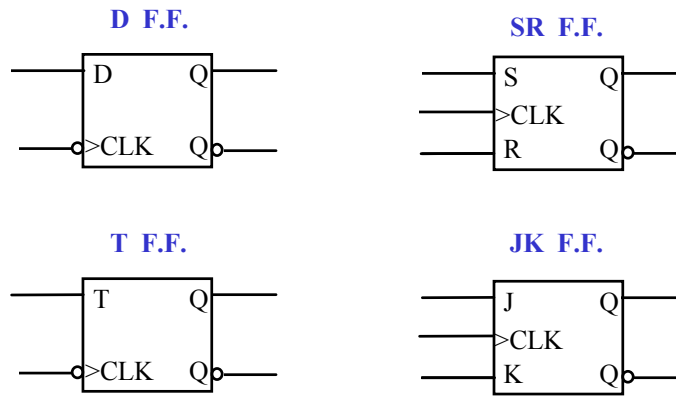


Flip-Flop Summary



Characteristic Equations Summary

Device Type	Characteristic Equation
D flip-flop	$Q^* = D$
S-R flip-flop	$Q^* = S + R' Q$
Master/slave J-K flip-flop	$Q^* = J Q' + K' Q$
T flip-flop	$Q^* = Q'$
T flip-flop with enable	$Q^* = T Q' + T' Q$